



**ESMOS –MACHINES FOR AN ORDERLY
FUTURE**



ESMOS 2017. All Rights Reserved

ESMOS 74 Kiril and Metodiy Str, 5900 Levski, Bulgaria
T: +3598846779854 Fax: 065082317 www.esmos-ad.com E: office@esmos-ad.com



SHREDDER

Introduction
Specifications
Drawings



Introduction

Single Shaft Shredder

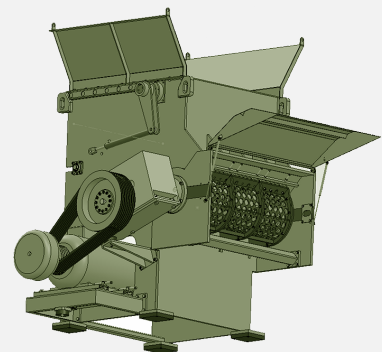
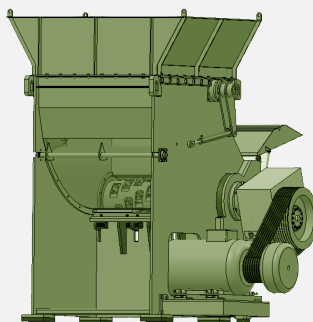
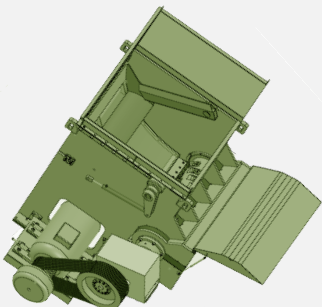
1. S 400
2. S 520

Single Shaft Shredders are grinders with a powerful two speed swing ram design eliminating the risk of blocking and wearing out of internal guide rails. The machine is very versatile and can be used for shredding of all kinds of input materials and is well suited for different industries.

Twin Shaft Shredder

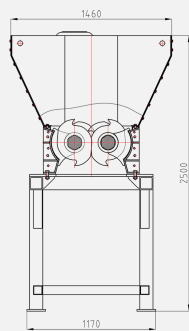
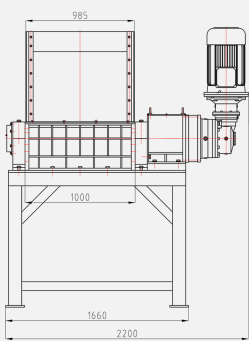
1. Shredder DD 400 / 420
2. Shredder DD 460 / 620
3. Shredder DD 700 / 1000

The Twin Shafts Shredder is useful for size reduction of Plastic, Rubber, Cable, Tire waste, LDPE film bales with sizes suitable for processing into the shredder up to sizes needed for the consequent processing.



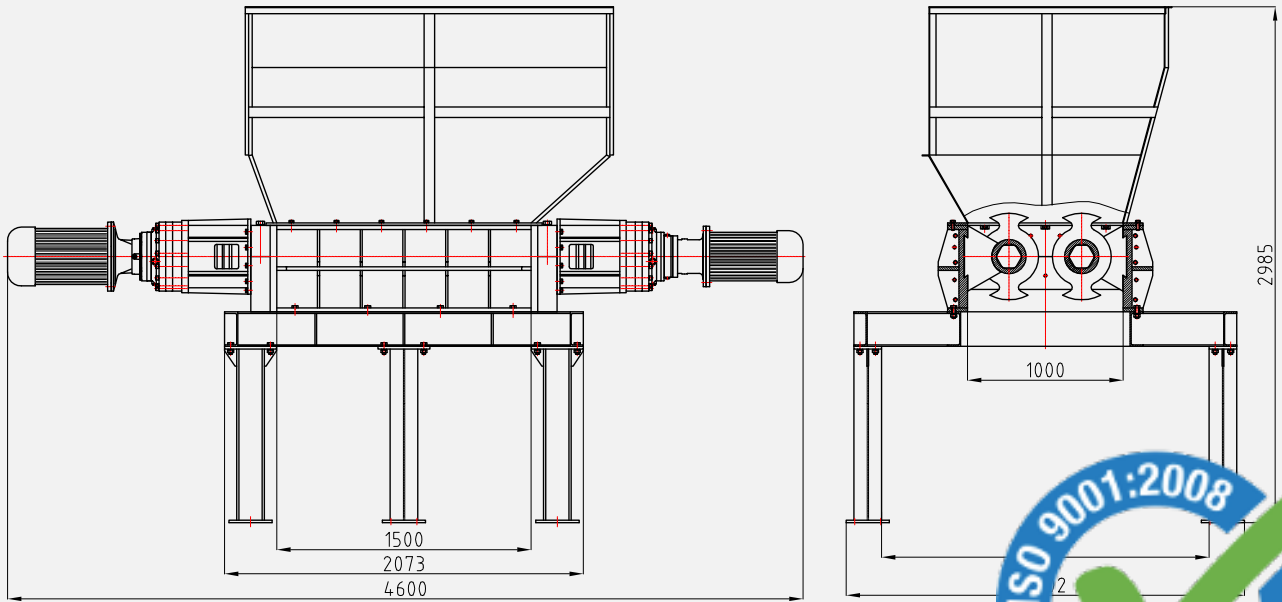
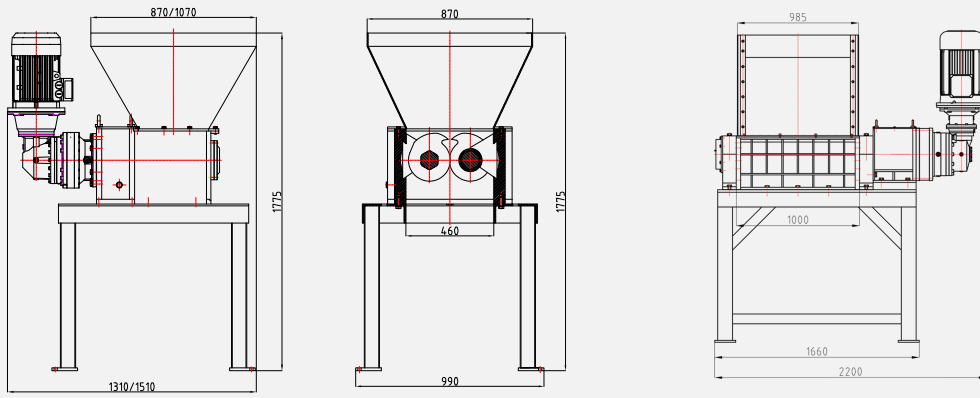


Specifications



Technical data	S 400	S 520
Shaft Diameter, mm	480	520
Shaft Length, mm	1080	1350
Number of knives on shaft, pcs	39 (40 x 40)	42 (60 x 60)
Drive Power, kW	30	75
Rotor Speed, rpm	100	105

Technival Data	DD 300 / 12	DD 3000 / 20	DD 700 / 20
Power, kW	7,5	7,5	30
Shaft, pcs	2	2	2
Shaft Speed, rpm	7/15	7/15	7/15
Cutting Chamber, mm	460 x 400	620 x 460	700 x 1000
Hopper Opening, mm	870 x 870	1100 x 870	1000 x 1500
Cutting discs, pcs	12	20	20
Cutters Diameter, mm	300	300	420
Cutters Thickness, mm	30	30	50



Drawings





Contact us

ESMOS Ltd.

74 Kiril and Medodiy Str.
5900 Levski
Bulgaria

T: +359 884 676984

E: office@esmos-ad.com

F: 068082317